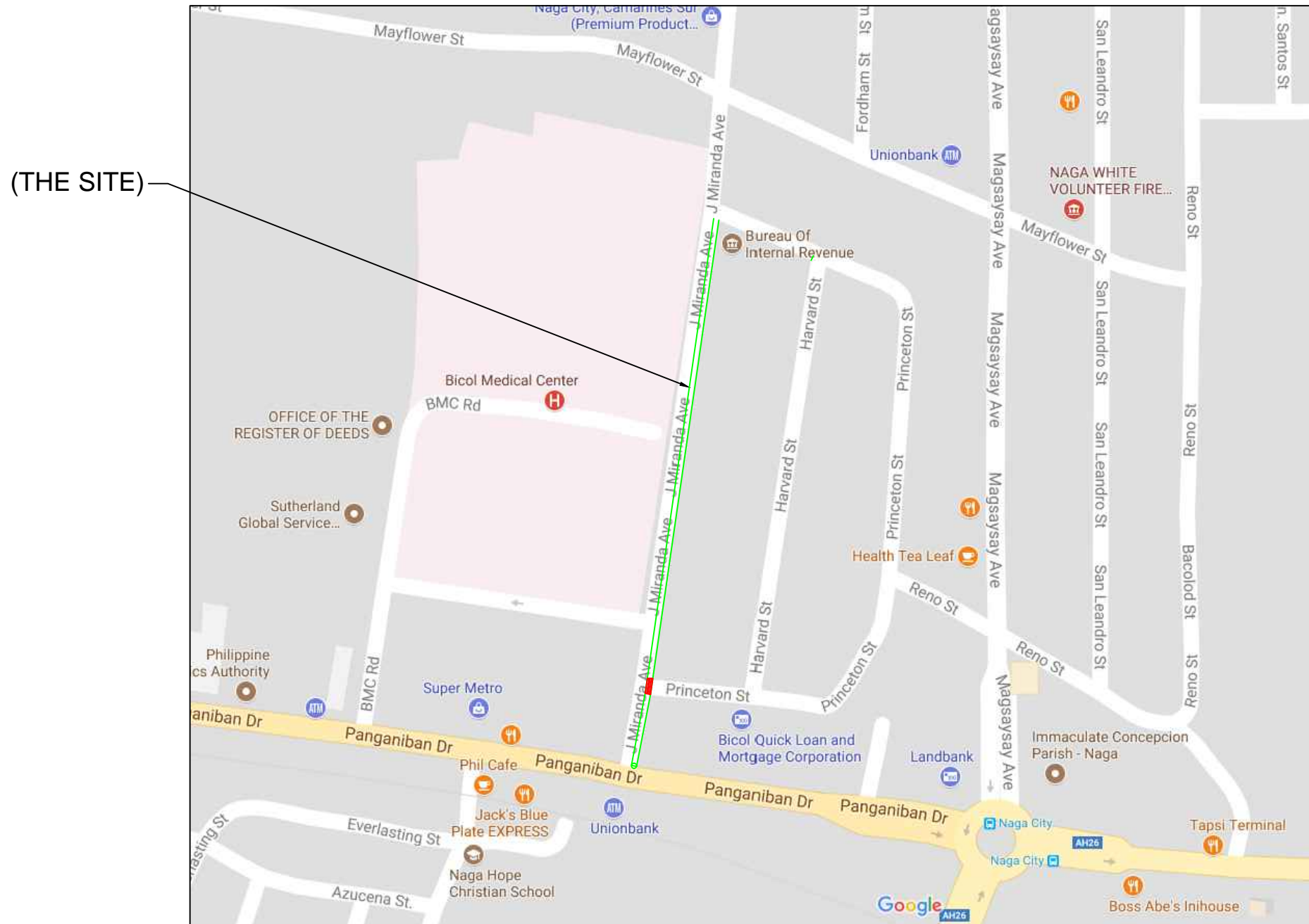


PROJECT ID.NO : 5844-2017-01

# PROPOSED DRAINAGE

LOCATION: J.MIRANDA AVE., CONCEPCION PEQUEÑA, NAGA CITY



LOCATION MAP

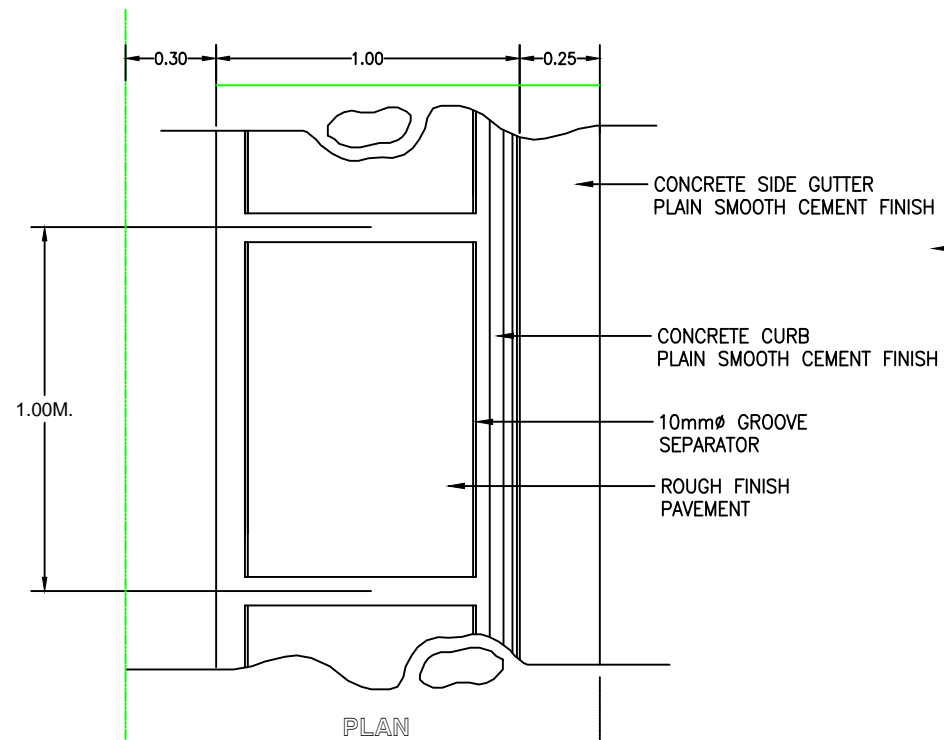
REPUBLIC OF THE PHILIPPINES <b>OFFICE OF THE CITY ENGINEER</b> CITY OF NAGA	PROJECT TITLE	SURVEYED BY	CHECKED BY:	RECOMMENDED BY:	APPROVED BY:	SHEET NO.	
	PROPOSED DRAINAGE	RICHARD B. BERMUNDO INSTRUMENT MAN	EMMEL M. ADAQUE ENGINEER II	GAUDENCIO A. ASIS JR. ASSISTANT CITY ENGINEER	LEON B. PALMIANO IV CITY ENGINEER		JOHN G. BONGAT CITY MAYOR
	LOCATION: J.MIRANDA AVE., CONCEPCION PEQUEÑA, NAGA CITY	PREPARED BY/PROJECT ENGINEER GONZALES B. VILLAPAÑE III ENGINEER I					

**DRAINAGE :**

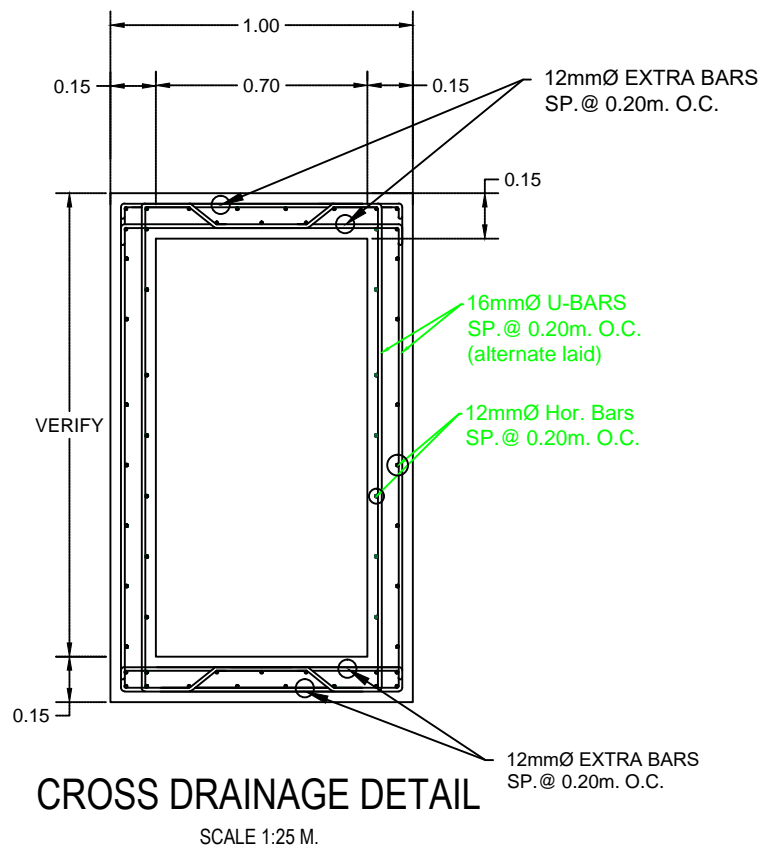
L = 292.50m.  
 W = 1.00m.  
 Ave D. = 1.023m.

**CROSS DRAINAGE :**

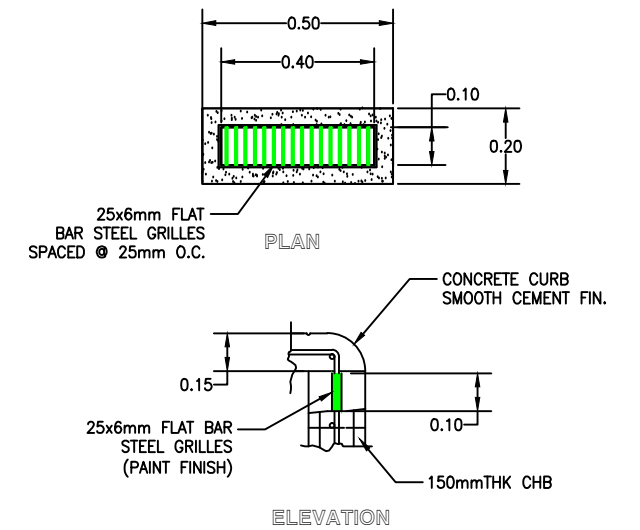
L1 = 7.50m.  
 W1 = 1.00m.  
 Ave D. = 1.14m.



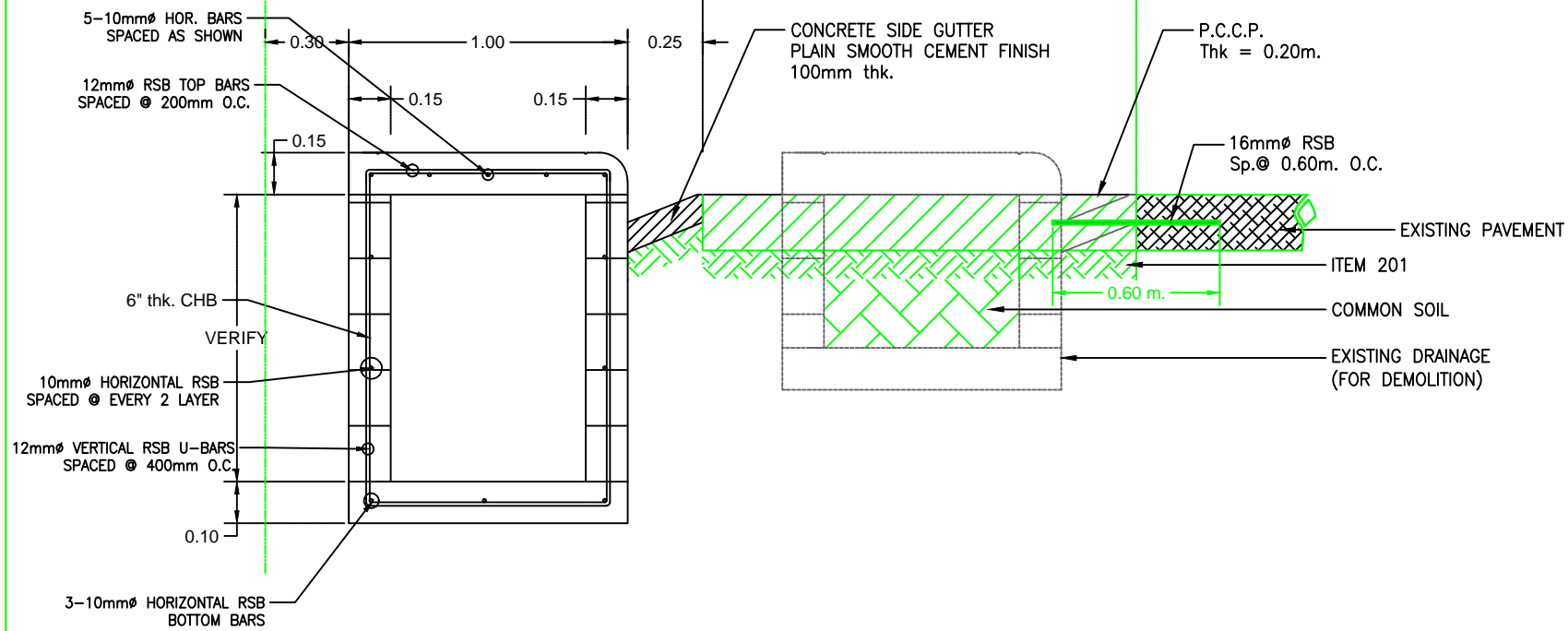
**DRAINAGE DETAIL**  
 SCALE 1:25 M.



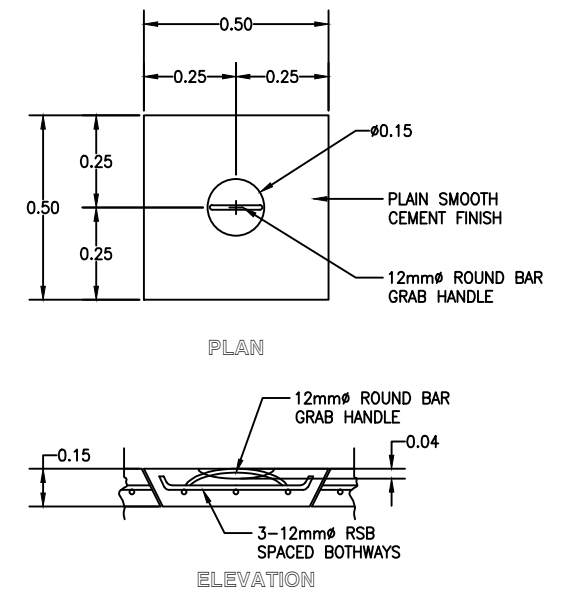
**CROSS DRAINAGE DETAIL**  
 SCALE 1:25 M.



**DRAIN INLET DETAIL**  
 SCALE 1:20 M.

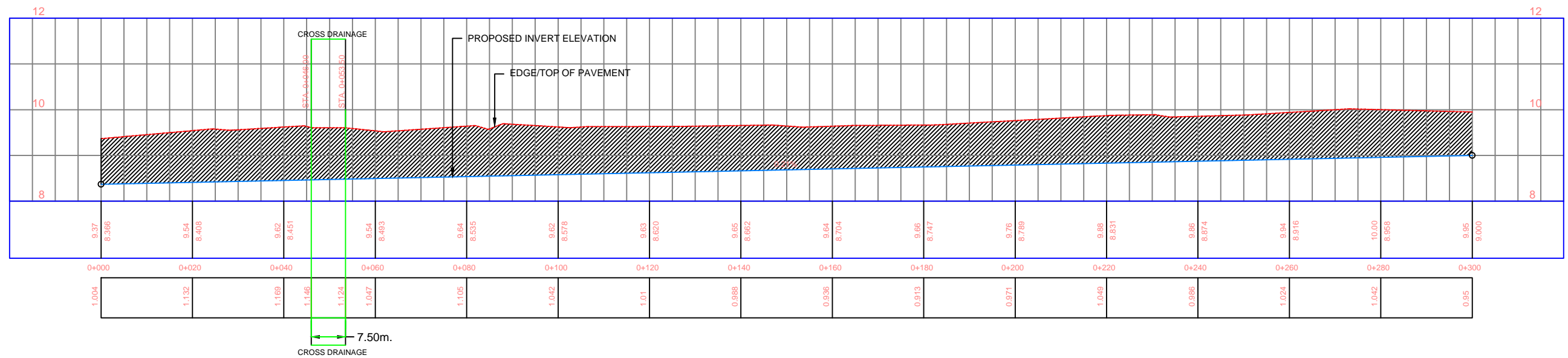
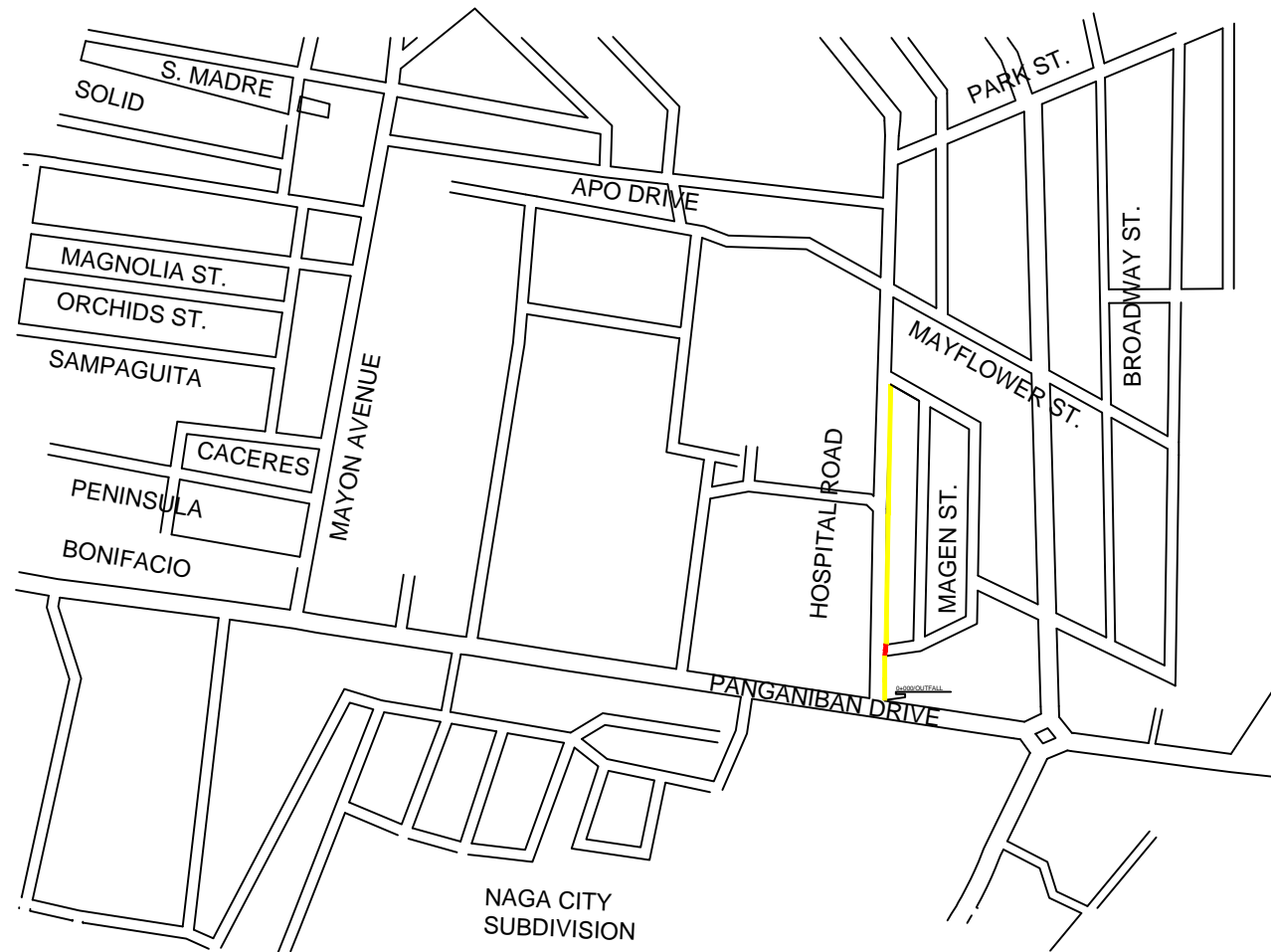


**DRAINAGE DETAIL**  
 SCALE 1:25 M.



**MANHOLE COVER DETAIL**  
 SCALE 1:20 M.

REPUBLIC OF THE PHILIPPINES <b>OFFICE OF THE CITY ENGINEER</b> CITY OF NAGA	PROJECT TITLE <b>PROPOSED DRAINAGE</b>	SURVEYED BY <b>RICHARD B. BERMUNDO</b> INSTRUMENT MAN	CHECKED BY: <b>EMMEL M. ADAQUE</b> ENGINEER II	RECOMMENDED BY: <b>GAUDENCIO A. ASIS JR.</b> ASSISTANT CITY ENGINEER	APPROVED BY: <b>LEON B. PALMIANO IV</b> CITY ENGINEER	SHEET NO. _____
	LOCATION: J.MIRANDA AVE., CONCEPCION PEQUEÑA, NAGA CITY	PREPARED BY/PROJECT ENGINEER <b>GONZALES B. VILLAPAÑE III</b> ENGINEER I	APPROVED BY: <b>JOHN G. BONGAT</b> CITY MAYOR			



REPUBLIC OF THE PHILIPPINES  
**OFFICE OF THE CITY ENGINEER**  
 CITY OF NAGA



PROJECT TITLE  
**PROPOSED DRAINAGE**  
 LOCATION: J.MIRANDA AVE.,  
 CONCEPCION PEQUEÑA, NAGA CITY

SURVEYED BY  
**RICHARD B. BERMUNDO**  
 INSTRUMENT MAN  
 PREPARED BY/PROJECT ENGINEER  
**GONZALES B. VILLAPAÑE III**  
 ENGINEER I

CHECKED BY:  
**EMMEL M. ADAQUE**  
 ENGINEER II

RECOMMENDED BY:  
**GAUDENCIO A. ASIS JR.**  
 ASSISTANT CITY ENGINEER

APPROVED BY:  
**LEON B. PALMIANO IV**  
 CITY ENGINEER

**JOHN G. BONGAT**  
 CITY MAYOR

SHEET NO.