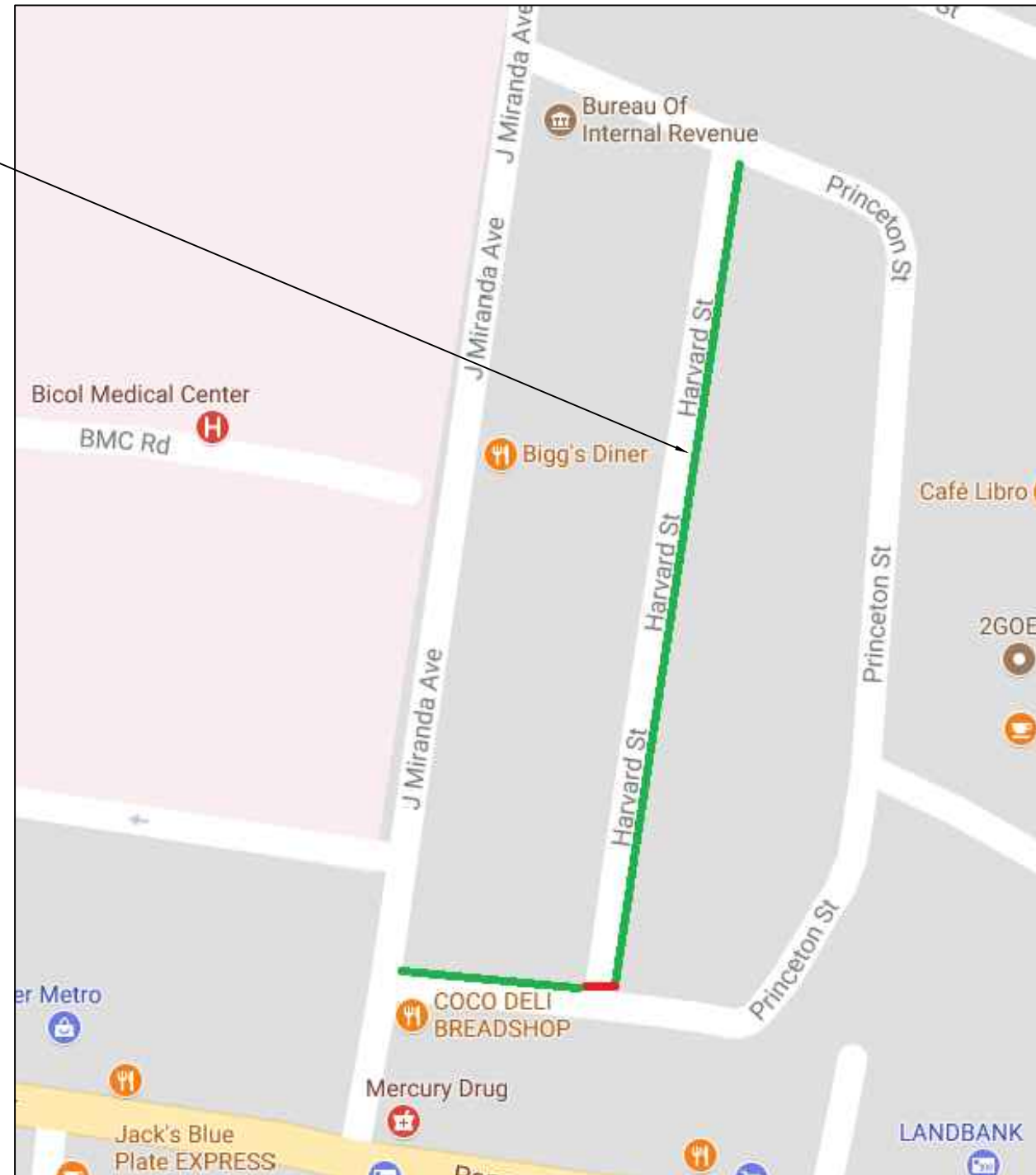


PROJECT ID.NO : 5855-2017-01


# PROPOSED DRAINAGE

LOCATION: HARVARD ST., CONCEPCION PEQUEÑA, NAGA CITY

(THE SITE)

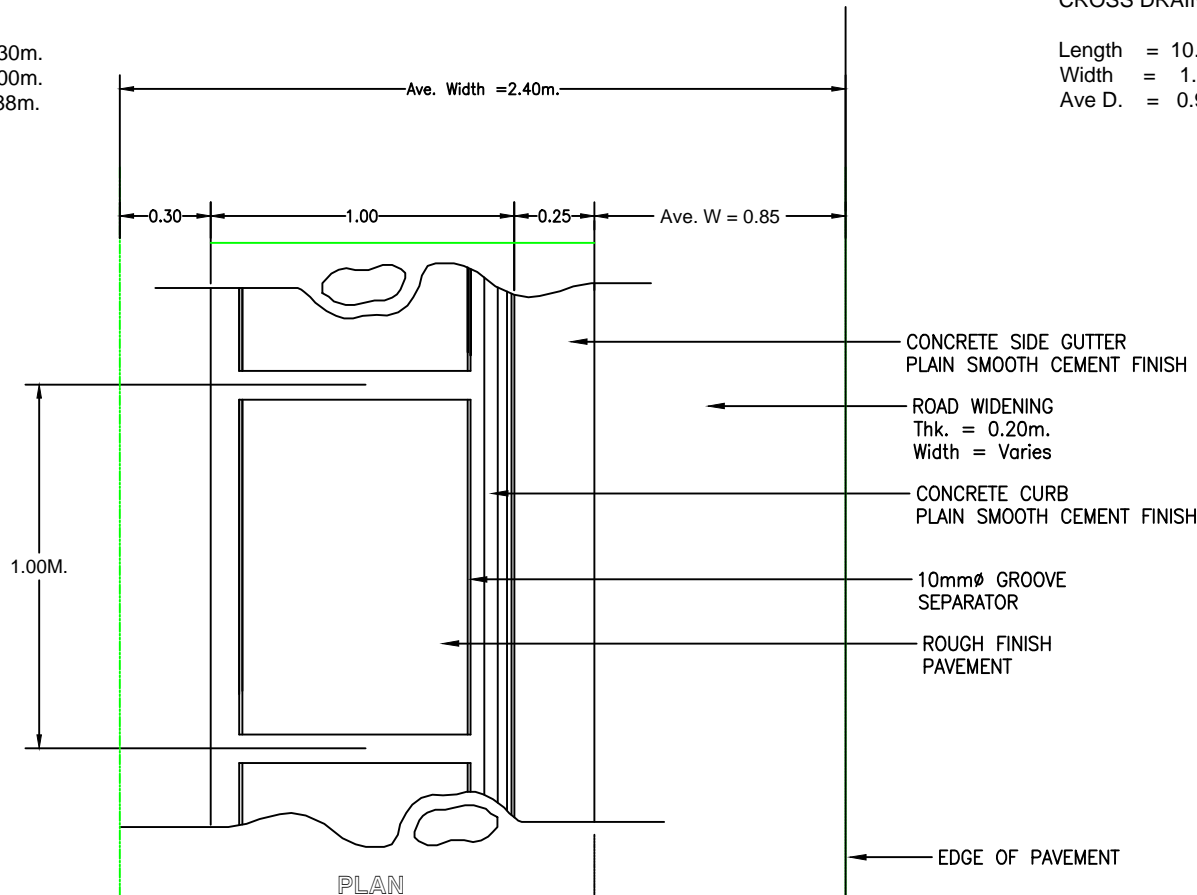


LOCATION MAP

<p>REPUBLIC OF THE PHILIPPINES</p> <p><b>OFFICE OF THE CITY ENGINEER</b></p> <p>CITY OF NAGA</p> 	PROJECT TITLE	SURVEYED BY	CHECKED BY:	RECOMMENDED BY:	APPROVED BY:		SHEET NO.
	PROPOSED DRAINAGE	RICHARD B. BERMUNDO INSTRUMENT MAN	EMMEL M. ADAQUE ENGINEER II	GAUDENCIO A. ASIS JR. ASSISTANT CITY ENGINEER	LEON B. PALMIANO IV CITY ENGINEER	JOHN G. BONGAT CITY MAYOR	
	LOCATION: HARVARD ST., CONCEPCION PEQUEÑA, NAGA CITY	GONZALES B. VILLAPAÑE III ENGINEER I					

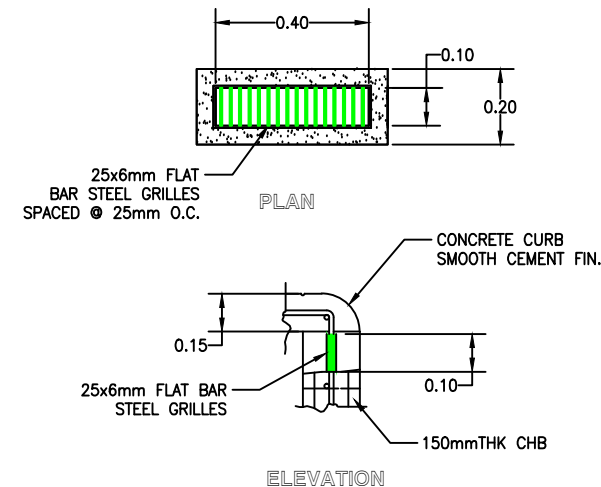
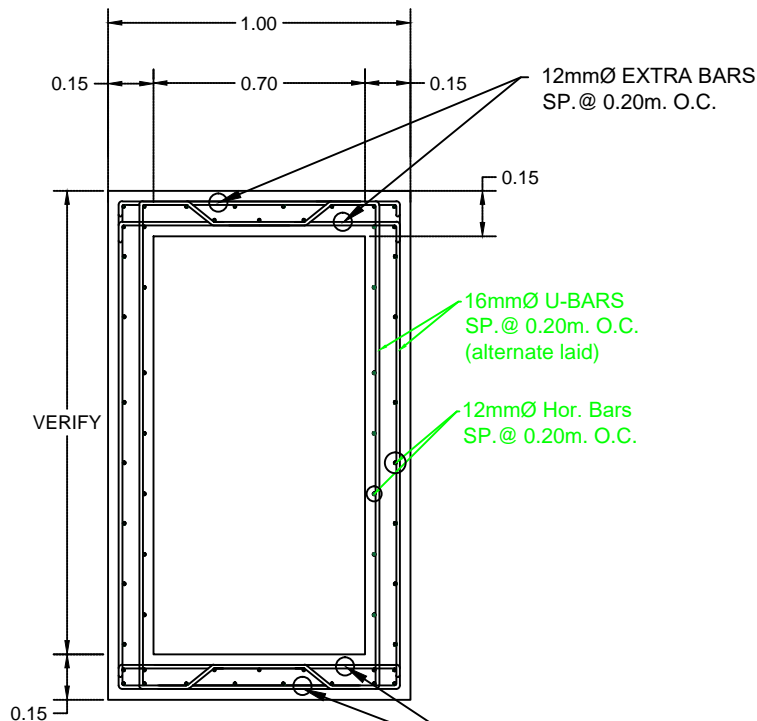
**DRAINAGE :**

L = 289.30m.  
W = 1.00m.  
Ave D. = 0.88m.



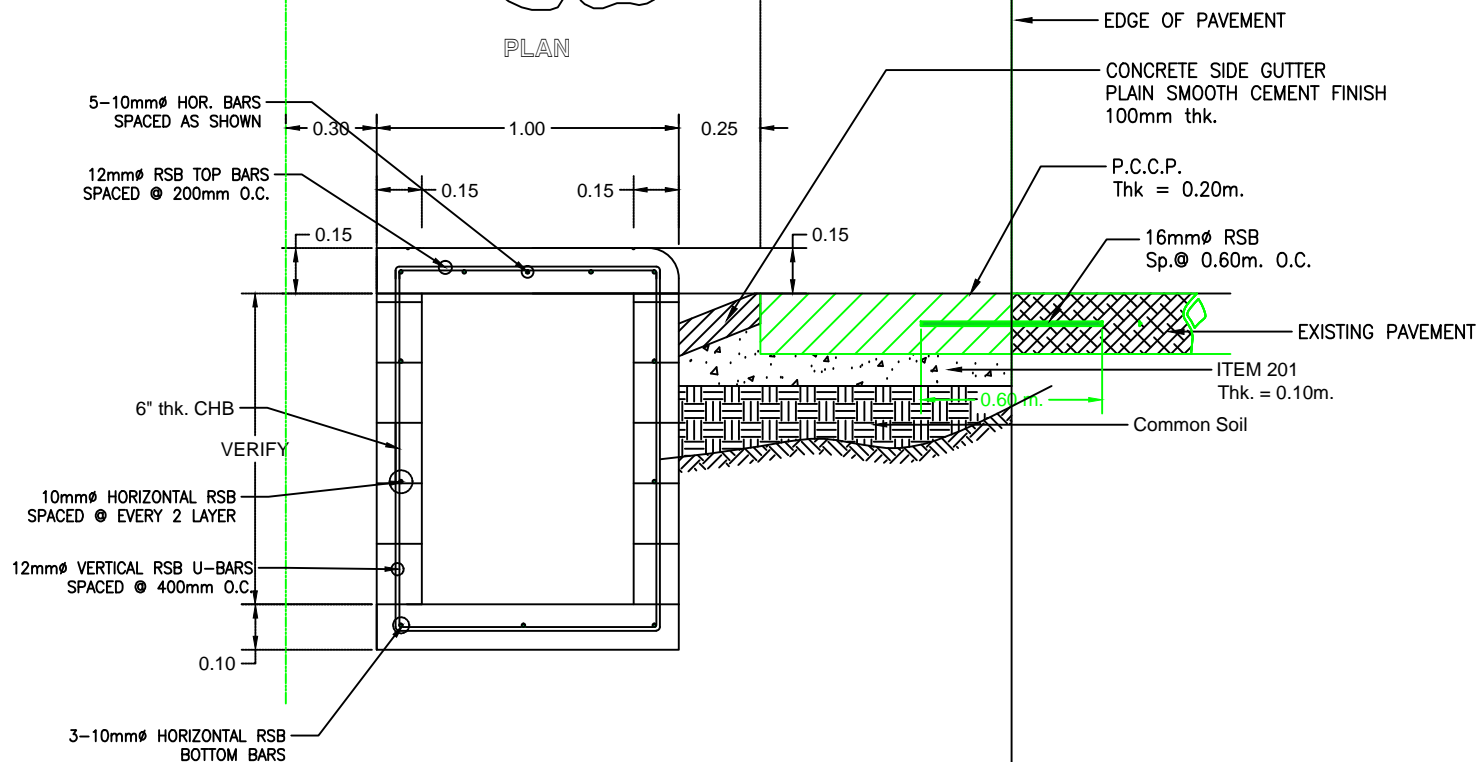
**CROSS DRAINAGE :**

Length = 10.00m.  
Width = 1.00m.  
Ave D. = 0.95m.

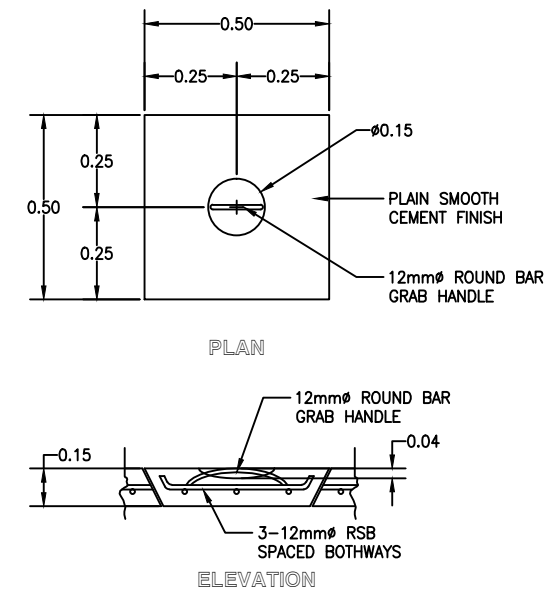


**DRAIN INLET DETAIL**  
SCALE 1:20 M.

**CROSS DRAINAGE DETAIL**  
SCALE 1:25 M.



**DRAINAGE DETAIL**  
SCALE 1:25 M.



**MANHOLE COVER DETAIL**  
SCALE 1:20 M.

REPUBLIC OF THE PHILIPPINES <b>OFFICE OF THE CITY ENGINEER</b> CITY OF NAGA	PROJECT TITLE	SURVEYED BY	CHECKED BY:	RECOMMENDED BY:	APPROVED BY:	SHEET NO.
	PROPOSED DRAINAGE	RICHARD B. BERMUNDO INSTRUMENT MAN	EMMEL M. ADAQUE ENGINEER II	GAUDENCIO A. ASIS JR. ASSISTANT CITY ENGINEER	LEON B. PALMIANO IV CITY ENGINEER	
	LOCATION: HARVARD ST., CONCEPCION PEQUEÑA, NAGA CITY	GONZALES B. VILLAPAÑE III ENGINEER I				

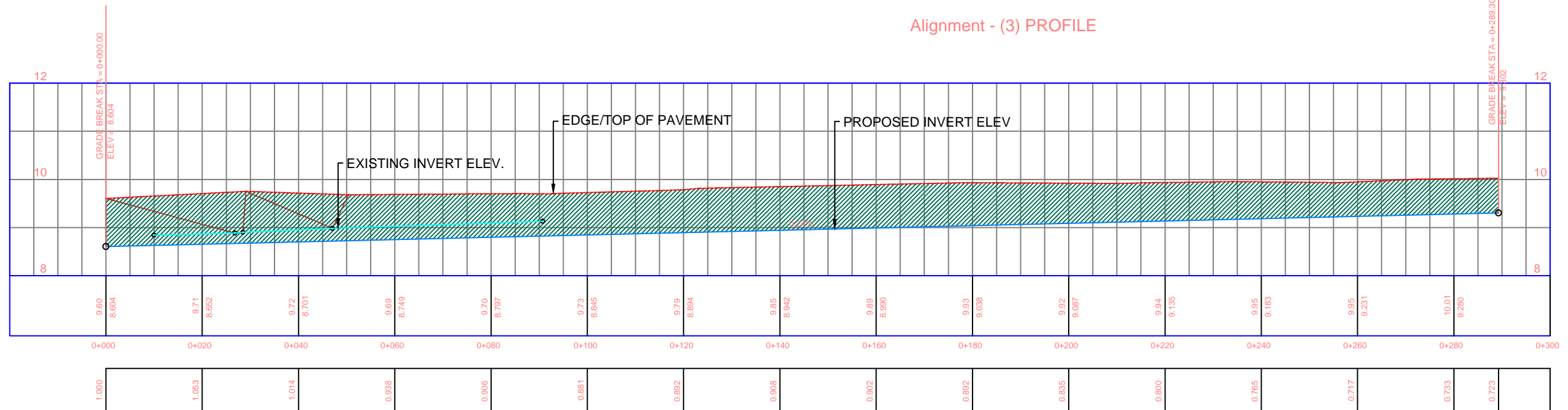
# BICOL MEDICAL CENTER

PANGANIBAN ROAD

J.MIRANDA AVE.

BIR

Alignment - (3) PROFILE



REPUBLIC OF THE PHILIPPINES  
**OFFICE OF THE CITY ENGINEER**  
 CITY OF NAGA



PROJECT TITLE  
**PROPOSED DRAINAGE**  
 LOCATION: HARVARD ST.,  
 CONCEPCION PEQUEÑA, NAGA CITY

SURVEYED BY  
**RICHARD B. BERMUNDO**  
 INSTRUMENT MAN  
 PREPARED BY/PROJECT ENGINEER  
**GONZALES B. VILLAPAÑE III**  
 ENGINEER I

CHECKED BY:  
**EMMEL M. ADAQUE**  
 ENGINEER II

RECOMMENDED BY:  
**GAUDENCIO A. ASIS JR.**  
 ASSISTANT CITY ENGINEER

APPROVED BY:  
**LEON B. PALMIANO IV**  
 CITY ENGINEER

**JOHN G. BONGAT**  
 CITY MAYOR

SHEET NO.