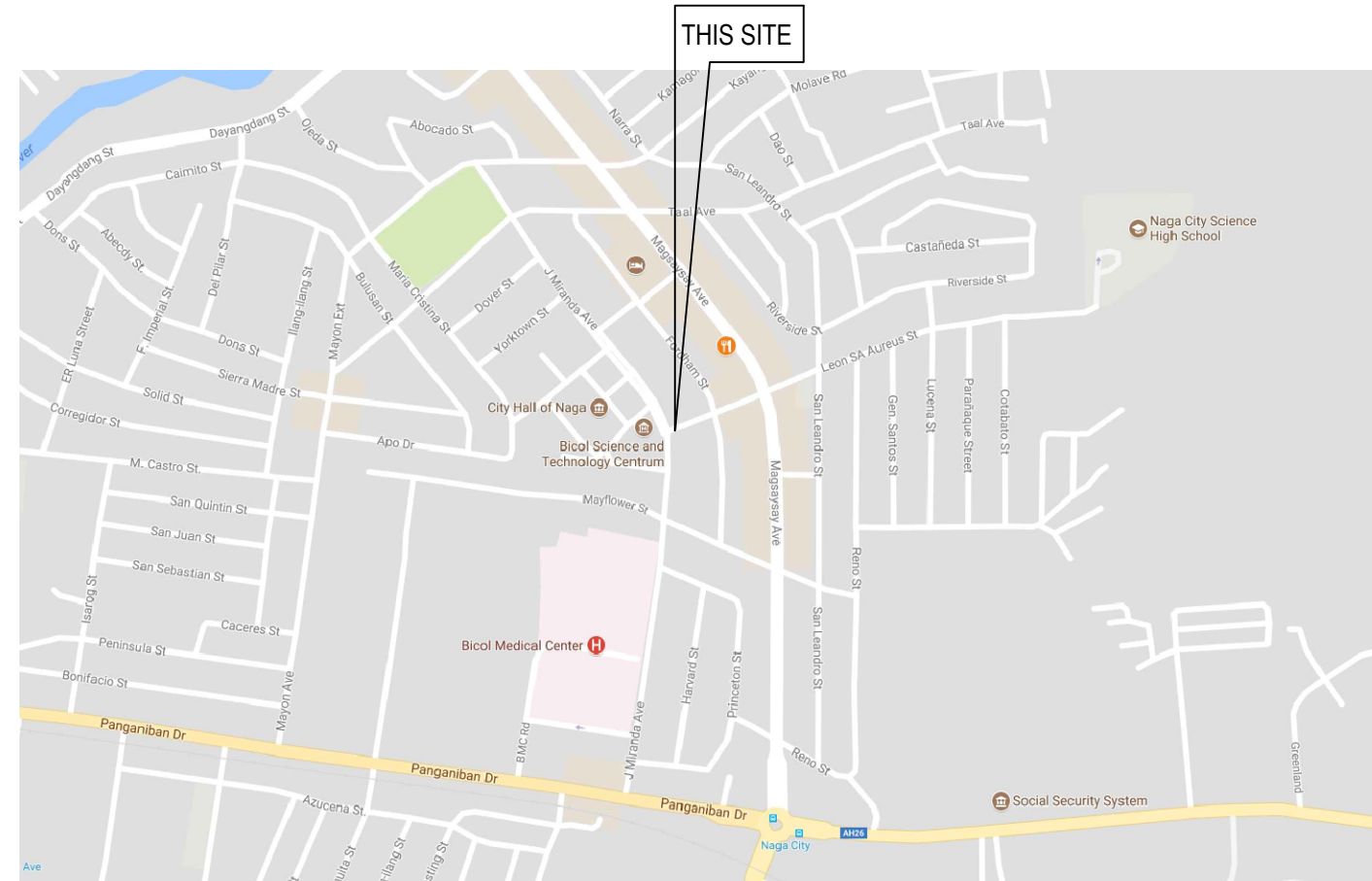


PROJECT ID.NO : 005836-2017-01

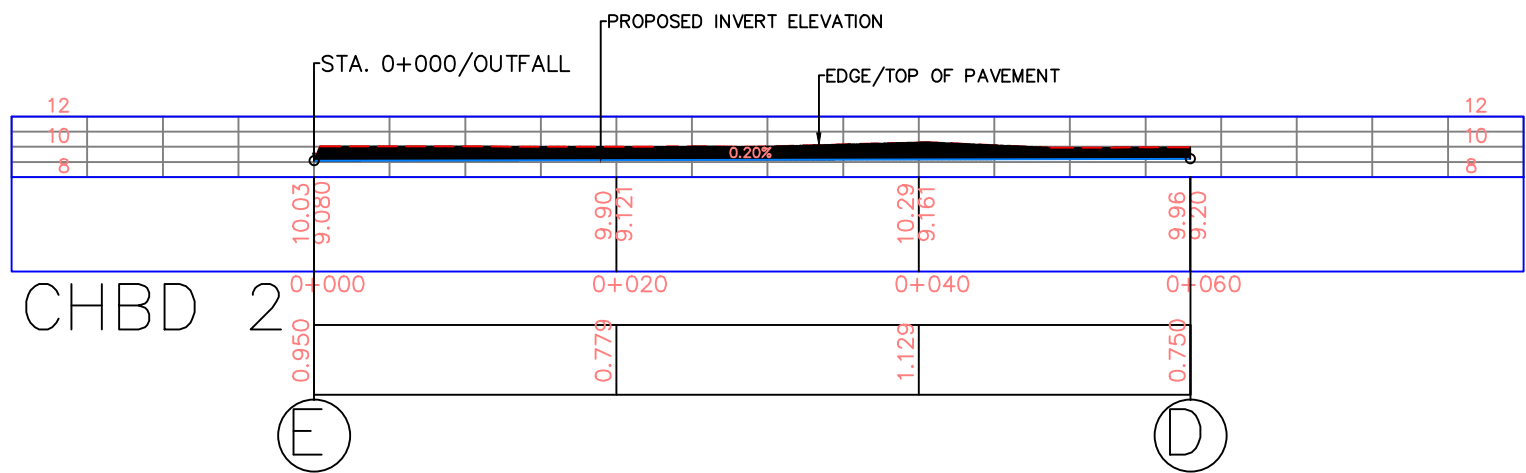
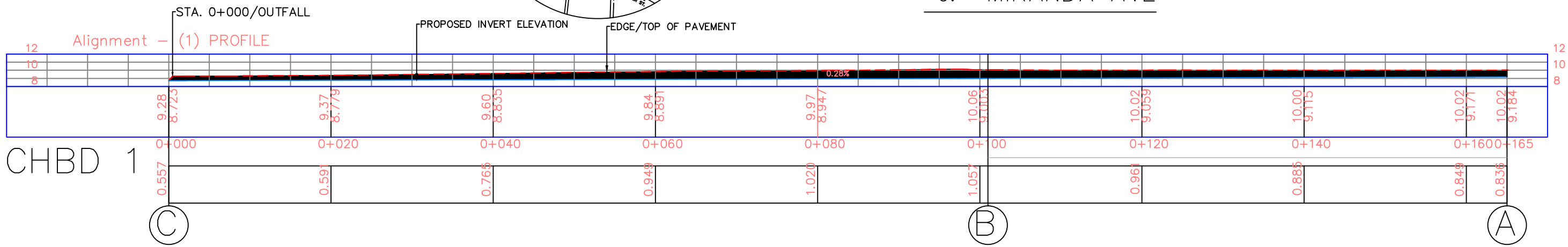
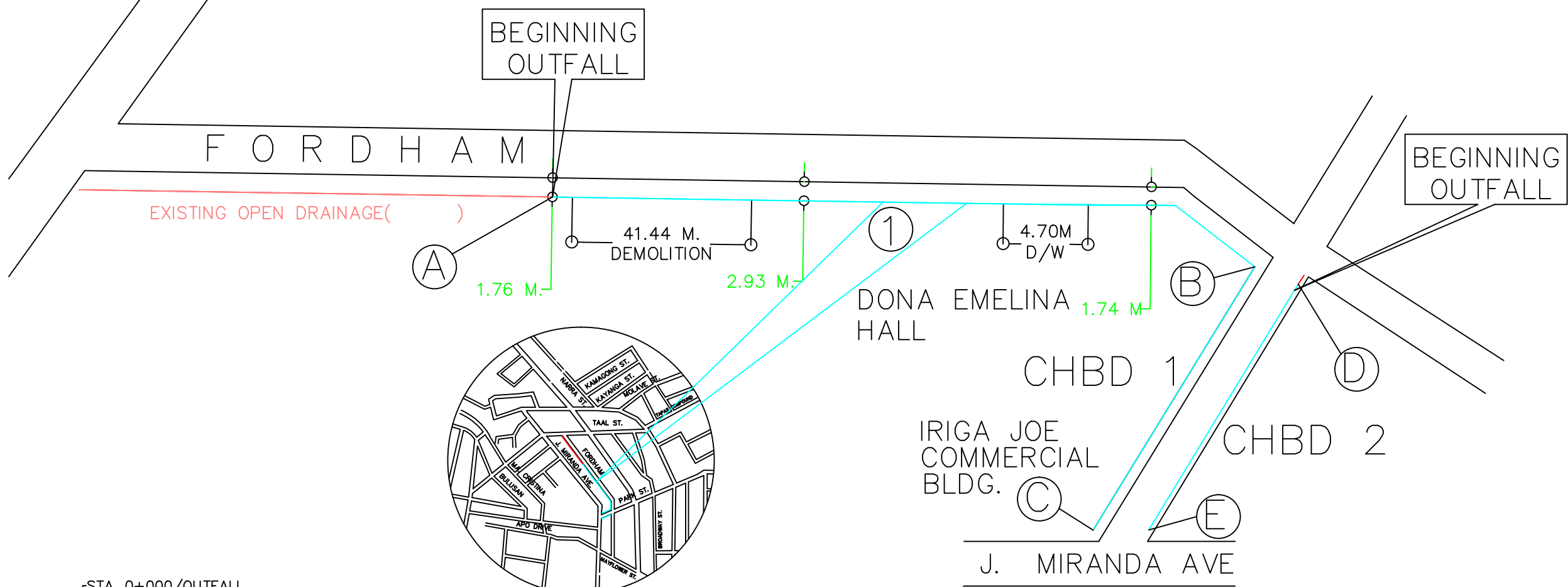
PROPOSED DRAINAGE

LOCATION: PARK ST. TO FORDHAM ST., CONCEPCION PEQUEÑA, NAGA CITY



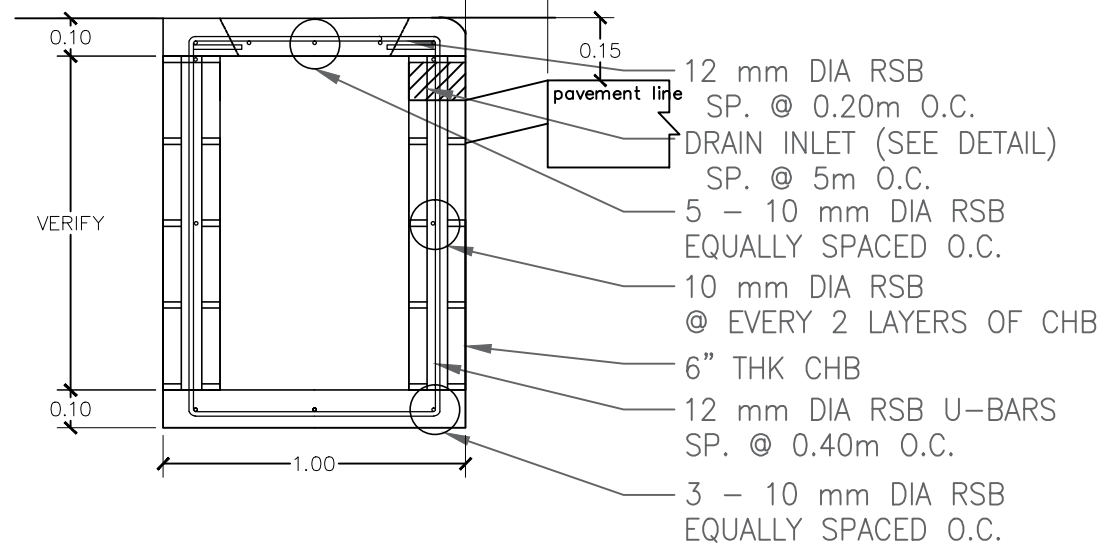
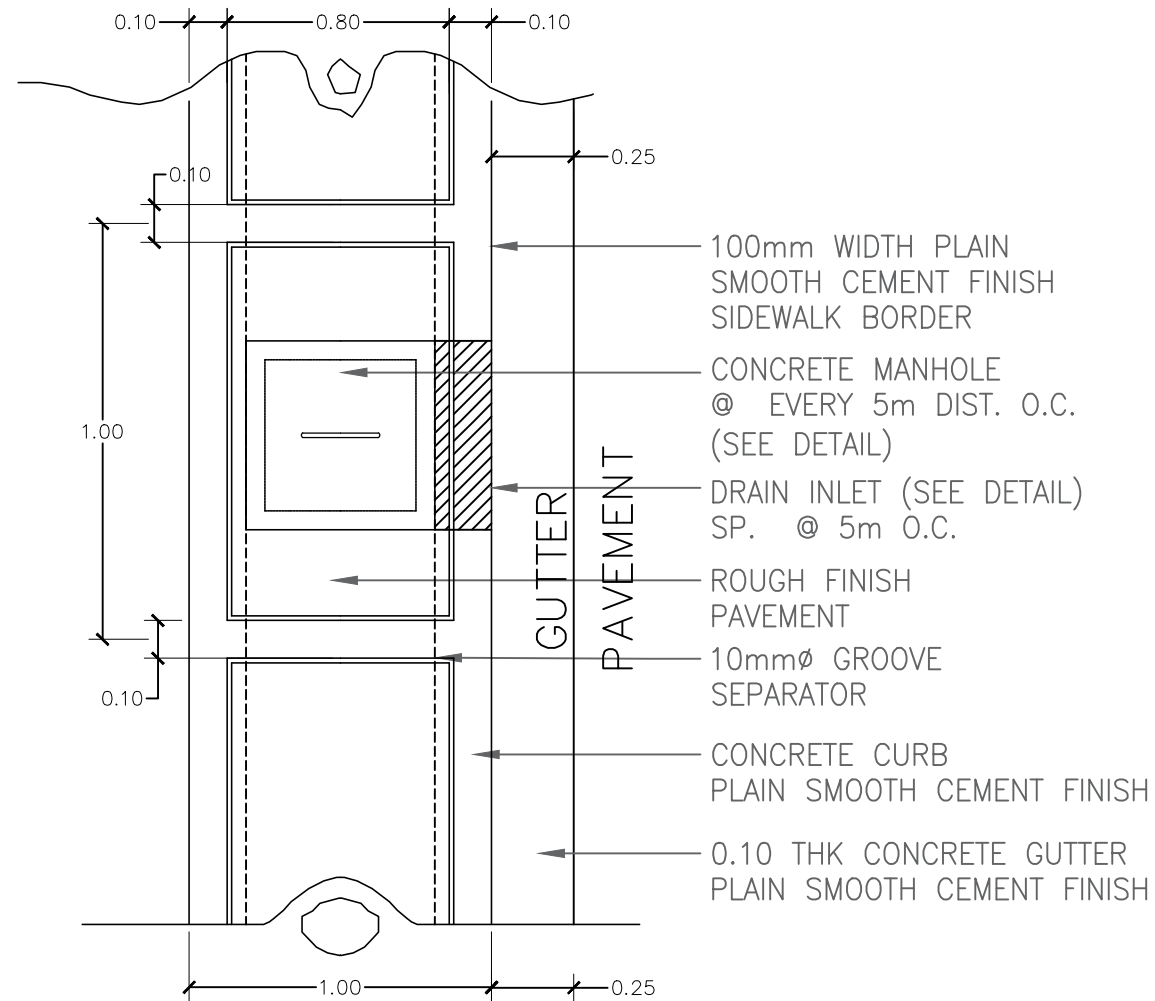
LOCATION MAP

REPUBLIC OF THE PHILIPPINES OFFICE OF THE CITY ENGINEER CITY OF NAGA	PROJECT TITLE	PREPARED BY:	CHECKED BY:	CONCURRED BY:	RECOMMENDED BY:	APPROVED BY:	SHEET NO.
	PROPOSED DRAINAGE LOCATION: PARK ST. TO FORDHAM ST., CONCEPCION PEQUEÑA, NAGA CITY	CHRISTOPHER B. ARCE ENGINEER I	EMMEL M. ADAQUE ENGINEER II		GAUDENCIO A. ASIS JR. ASSISTANT CITY ENGINEER	LEON B. PALMIANO IV CITY ENGINEER	



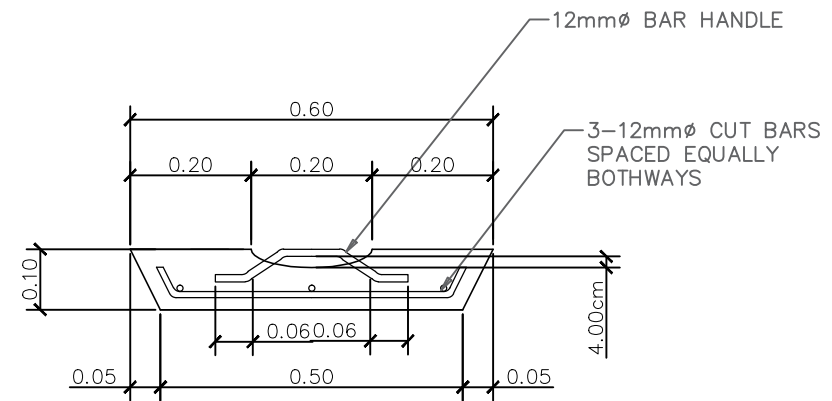
DRAINAGE PROFILE ELEVATION
SCALE 1 : 500 M

REPUBLIC OF THE PHILIPPINES OFFICE OF THE CITY ENGINEER CITY OF NAGA	PROJECT TITLE	PREPARED BY:	CHECKED BY:	CONCURRED BY:	RECOMMENDED BY:	APPROVED BY:	SHEET NO.
	PROPOSED DRAINAGE LOCATION: PARK ST. TO FORDHAM ST., CONCEPCION PEQUEÑA, NAGA CITY	RICHARD B. BERMUNDO INSTRUMENT MAN CHRISTOPHER B. ARCE ENGINEER I	EMMEL M. ADAQUE ENGINEER II		GAUDENCIO A. ASIS JR. ASSISTANT CITY ENGINEER	LEON B. PALMIANO IV CITY ENGINEER	

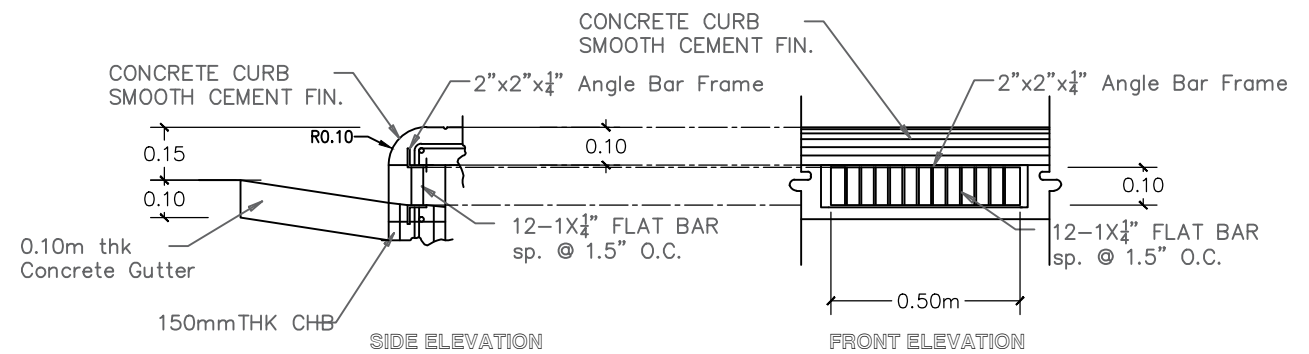


Designation	Length	Width	Ave.Depth	Location
CHBD 1	165 m	1.00 m	0.85 m	A-C
CHBD 2	60 m	1.00 m	0.90 m	D-E

CLOSED CHB DRAINAGE (BOX TYPE)
SCALE 1 : 20 M



DRAINAGE COVER DETAIL
SCALE NTS



DRAIN INLET DETAIL
SCALE NTS

REPUBLIC OF THE PHILIPPINES OFFICE OF THE CITY ENGINEER CITY OF NAGA	PROJECT TITLE PROPOSED DRAINAGE	PREPARED BY: CHRISTOPHER B. ARCE ENGINEER I	CHECKED BY: EMMEL M. ADAQUE ENGINEER II	CONCURRED BY:	RECOMMENDED BY: GAUDENCIO A. ASIS JR. ASSISTANT CITY ENGINEER	APPROVED BY: LEON B. PALMIANO IV CITY ENGINEER	JOHN G. BONGAT CITY MAYOR	SHEET NO.
	LOCATION: PARK ST. TO FORDHAM ST., CONCEPCION PEQUEÑA, NAGA CITY							